

## WJ-2G UNDERGROUND WHEEL LOADER



WJ-2G underground wheel loader | Scooptram is central articulated frame underground wheel loader, with S-shape self-balancing structure boom, Cabin set on the rear part of the chassis with FOPs+ROPs open cabin. Wear-resistance shovel blade and side blade from Sweden. NO-SPIN for front axle;

### Main Specifications

Rated bucket volume (SAE)	2 m <sup>3</sup>
Rated loading capacity	4 Metric Ton
Maximum traction force	102 kN
Maximum shovel force	95 kN

### Travelling speed

1st Gear	0~3.2
2nd Gear	0~6.5
3rd Gear	0~14

### Action time

Hoist	4 sec
Descend	2.5 sec
Tilt	4 sec

### Weight

Empty weight	12.5 Metric Ton
Weight with full load	16.5 Metric Ton

### Dimensions

Length (transport)	7500 mm
Width (blade external)	1800 mm
Height (body)	1491 mm
Height (roof)	2100±50 mm
Wheel base	2580 mm
Tread	1390 mm
Rear axle oscillate	±8°
Maximum unload height	1800 mm
Unload distance	930 mm
Ground clearance	270 mm
Unload angle	40°

### Turning radius

External ( blade external)	5000 mm
Inner (rear wheel inner)	2700 mm

### Grade ability

Maximum grade ability (full load)	14°
-----------------------------------	-----

## MAIN COMPONENTS

Power-train	
Brand	Germany Deutz
Model	BF6L914
Type	Air-cooled diesel engine
Rated power	112 KW @ 2300 rpm
Fuel consumption	220 g/kW-h
Air-intake	Import Donaldson air filter
Exhaust	Catalytic purifying + silencer

Drive line	
Transmission	DANA R20000 series
Converter	DANA C270 series
Drive Axle	CY-2JA
ratio	26.267(6.16×4.26)
Front axle	NO-SPIN
Tire size	12.00-24-24
Inflation pressure	975 kPa
Rim size	8.5"

Brake system	
Service brake	dual circuit, wet-multiple discs with spring-pressured, hydraulic release
Parking brake	Caliper disc brake on transmission
Valves	Import brand valve

Steering system	
Type	All hydraulic power steering
Steering cylinder	D140/d70E ×1
Swing angle	±40°

Service hydraulic system	
Type	Hydraulic pilot valve controlling
Service pump	P5100 gear pump
Hoist cylinder	D180/d90 E ×2
Tilt cylinder	Qty D180/d90 E ×1
Multi-directional valve	SD25/2

Electric system	
Working voltage	24V
Starter motor	BOSCH 4KW/24V
AC generator	BOSCH 28V/35A
Battery	2×12V (120Ah)

Electric system	
Engine oil temperature	Engine oil pressure
Hydraulic oil temperature	Engine oil level
Engine cylinder head temperature	Hour meter
Transmission oil temperature	Tachometer
Reverse alarm and warning	Ammeter

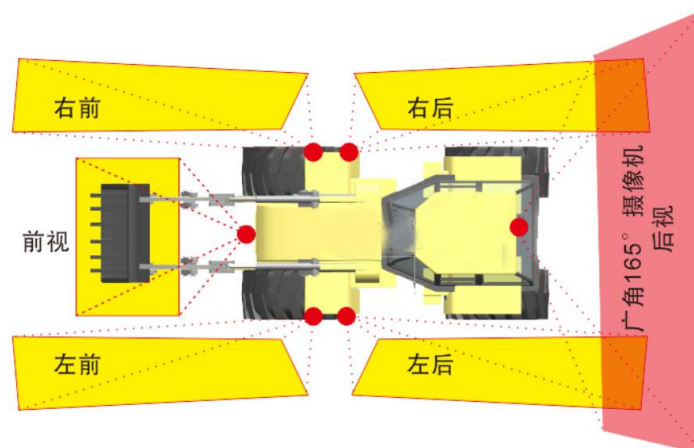
Safety regulations	
Working temperature	≤40°C
Cabin	FOPs+ROPs standard
Design standard	GB/T5143



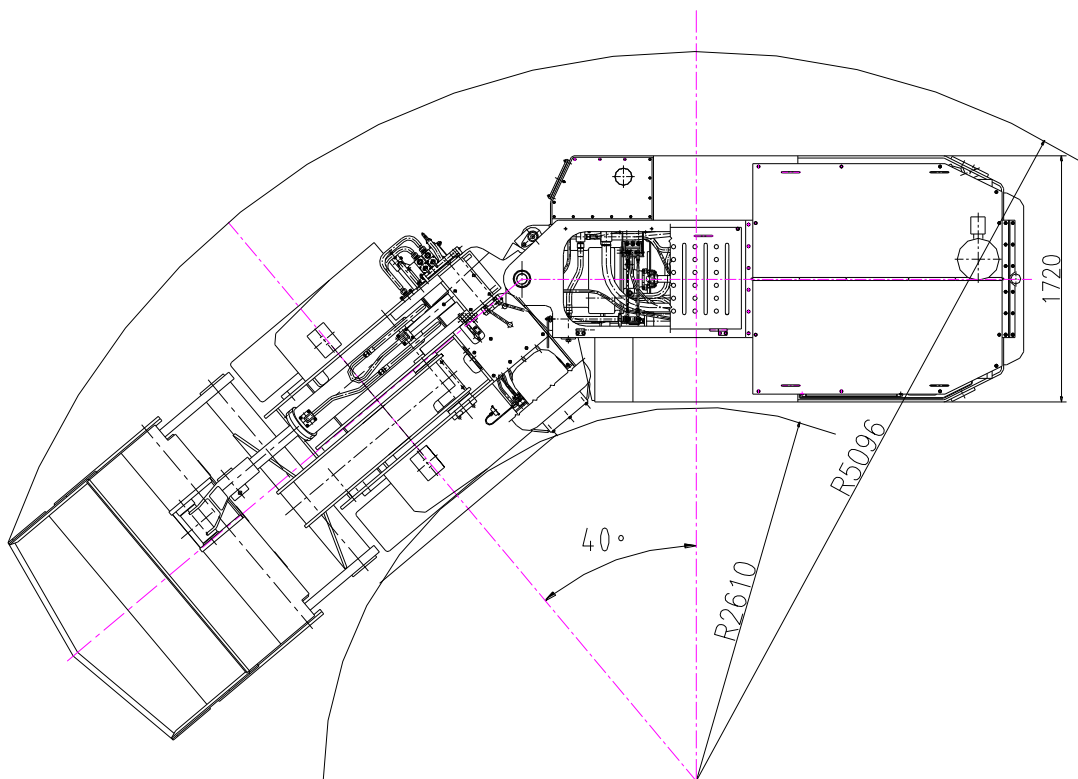
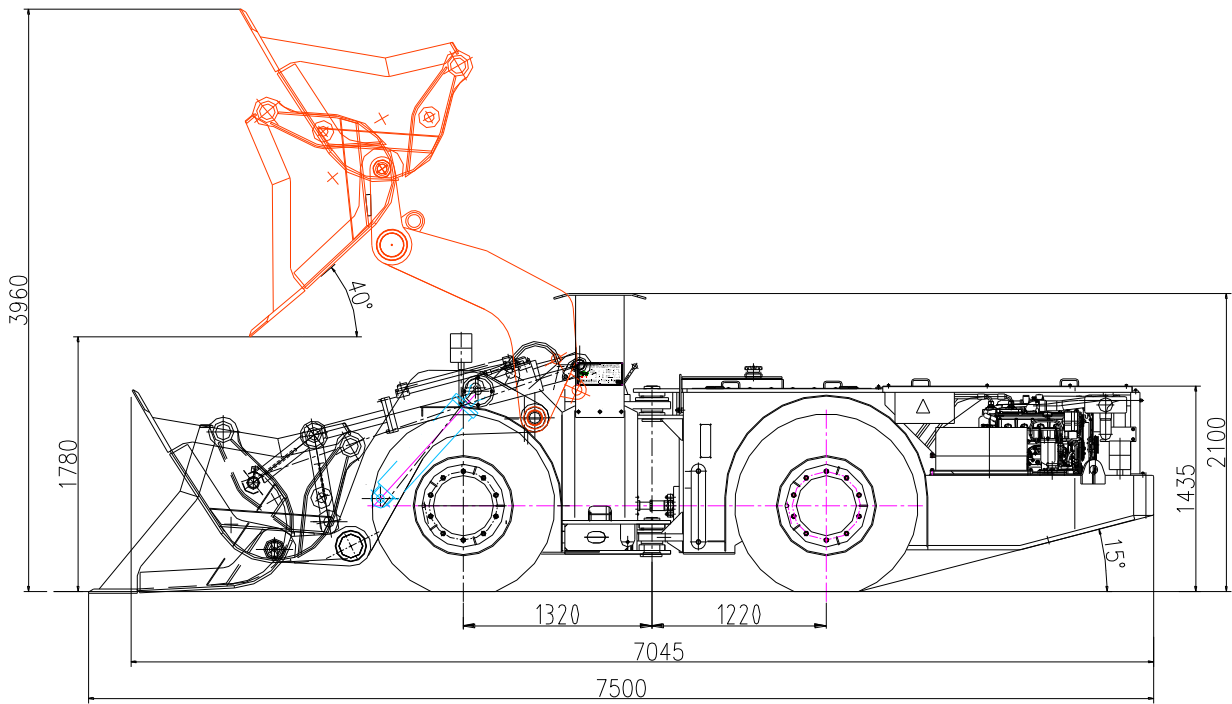
Liquid volume	
Engine oil	19 Liter (to oil stick down level)
Diesel	180 Liter
Transmission oil	34 KG 6#, 8# hydro-power oil
Hydraulic oil	180 KG #68 anti-wear hydraulic oil
Drive axle main differential	12 liter;
Wheel side reducer	3.5 liter per each
Lubricant	GL-4 85W/90W

Executed standard	
CE Machine Directive 2006/42/ECM	
EN ISO 12100:2010, EN ISO 19296:2018	
Cabin Design standard GB/T5143	
Underground loader for mining: GB 25518-2010 Q/KMZZ03001-2021	

## Main options:



Designs:





## PHOTO GALLERY

