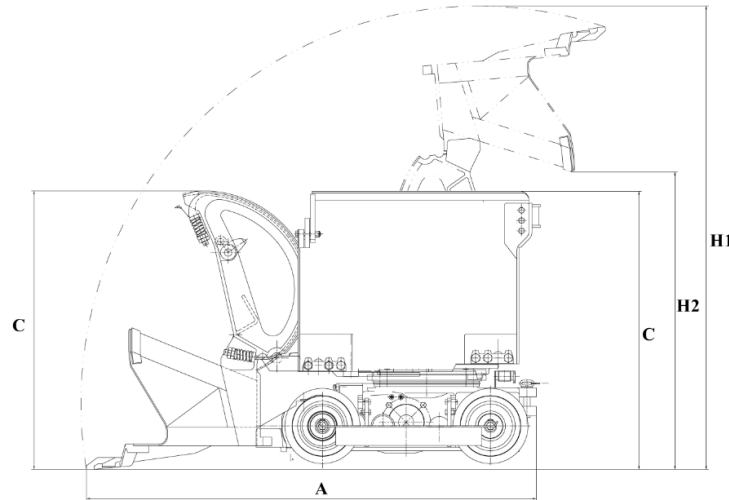


ELECTRIC ROCK SHOVEL

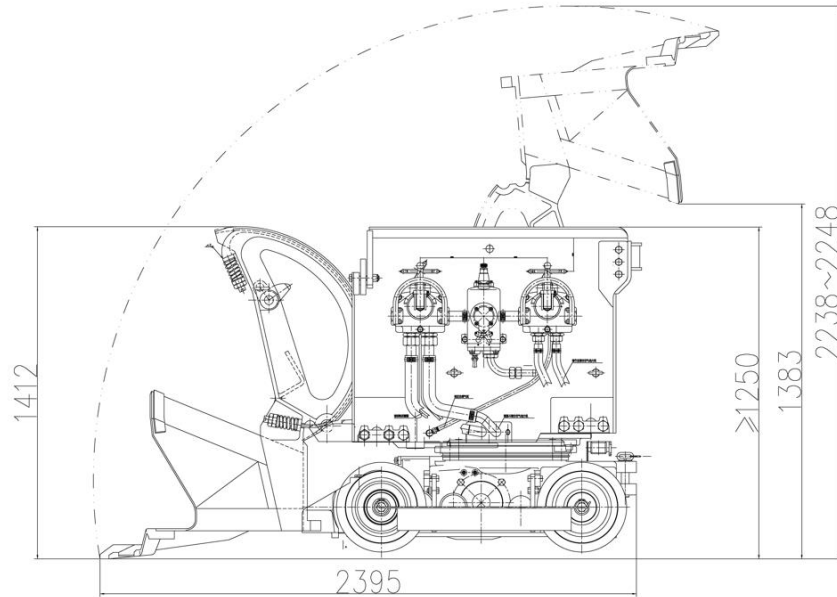


➤ Specifications

Specifications	Unit	Z-20C	Z-30
bucket Size	cbm	0.20	0.30
productivity	cbm/h	40	72
Loading width	mm	1950	2200- 2500(adjustable)
Discharge height H ₂	mm	1250	1300
Discharge reach S	mm	350	350
Max work height H ₁	mm	1940	2250
Length (A)	mm	2184	2525
Width (B)	mm	1070	1200
Height (C)	mm	1200	1443
Electric motor type		Jl ₂ -8	Jl ₂ -8
Electric motor power	KW	10.5*2	13*2
Operating Mass	Ton	3.4/3.5	4.3/4.5



PNEUMATIC ROCK SHOVEL



Specifications	Unit	Parameter
loading capacity	cbm/h	≈ 50
bucket size	cbm	0.26
loading width	mm	2730
track width	mm	600~762
walking power	HP	12
shovel power	HP	20
Max Air flow required	cbm/min	11.5~19
working air pressure	Mpa	0.45-0.70
Input compressed air hose inner diameter	inch	1
length(bucket down)	mm	2376
width	mm	1085(1410include pedal)
height(bucket working)	mm	2248
height(bucket down)	mm	1383
Discharge height	mm	1250
Operating Mass	T	2.9

